

# Series 2000 Modular Console System - NEMA 12, 4, 4X Turret Units

Operator Interface Enclosure



Standard Turret



Deep Turret



## Application

- Ideal as a housing for video screens.
- Flexible design provides panel mount or rack mount capabilities for a variety of applications.
- Generally used in combination with other modular console components (ie. base, pedestal, and/or desk).
- Available in either Standard (supported by Base, Pedestal, or Standard Desk) or Deep (supported by Deep Desk only) format.
- Smooth lines and clean edges provide an attractive, contemporary appearance.

## Standards

### RAL 7035 Light Gray

- UL 508 Type 3R, 4, 12
- CSA Type 3R, 4, 12, 13
- EIA RS-310-D
- Complies with
  - NEMA Type 3R, 4, 12
  - IEC 60529, IP66

### Stainless Steel (Type 304)

- UL 508 Type 3R, 4, 4X and 12
- CSA Type 3R, 4, 4X and 12
- EIA RS-310-D
- Complies with
  - NEMA Type 3R, 4, 4X, 12
  - IEC 60529, IP66

## Construction

- Formed 14 gauge steel bodies with 14 gauge steel doors.
- Also offered with formed 14 gauge 304 stainless steel bodies with 14 gauge 304 stainless steel doors.
- Smooth, continuously welded seams without knockouts or holes.
- Body stiffeners are provided where required for increased strength and rigidity.
- Offered in 4 widths 24", 36", 48" and 60".
- Features solid sides and top, solid door on front (opens down) and back (opens up), and open bottom.
- Front door features sliding rod mechanism, which allows a 102° opening when in the lowered position.
- Rear door features manual, 3 position adjustable door stop which provides convenient support while door in open position.
- Formed lip on enclosure excludes flowing liquids and contaminants.
- Slotted quarter turn oil-tight latches secure the door, with optional tamper resistant and locking latches available.
- Stainless steel models utilize stainless steel hardware.
- Oil resistant gaskets are permanently secured and mechanically retained.
- Features several internal stud locations for mounting of various accessories.
- A bonding screw is provided on the door and a grounding stud is provided in the enclosure.

## Finish

- Available in RAL 7035 light gray textured powder coating and natural stainless steel with a smooth, brushed finish.
- 24" Front Window Door available in same finishes.

## Accessories

- Air conditioners...*see page 349-367*
- Blowers...*see page 389*
- Filter fans...*see page 371-384*
- Fan trays...*see page 391*
- Heaters...*see page 393-396*
- Series 2000 Modular Console Accessories...*see page 221-228*
- Rack Mount Accessories  
...*see page 229-232*

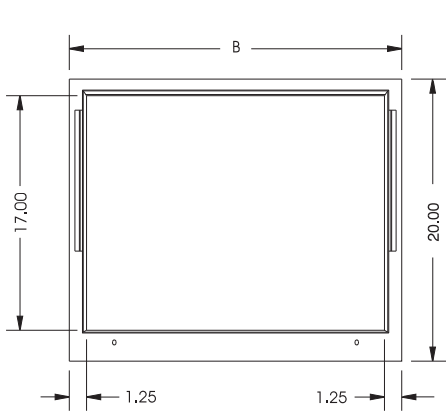
Modular Console System

# Series 2000 Modular Console System - NEMA 12, 4, 4X Turret Units

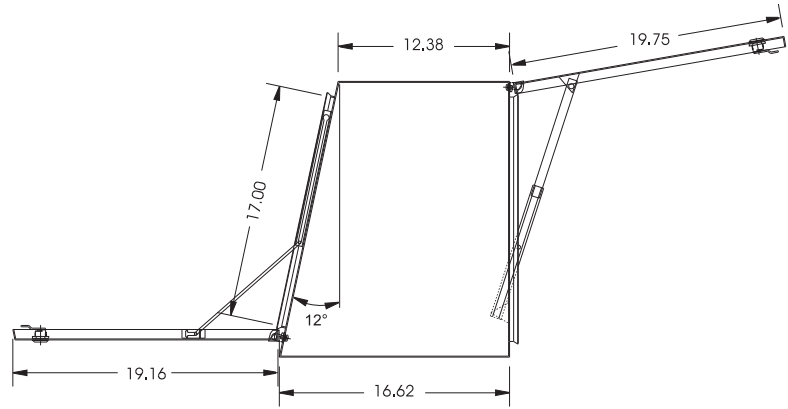
Operator Interface Enclosure

Modular Console System

## Standard Turret

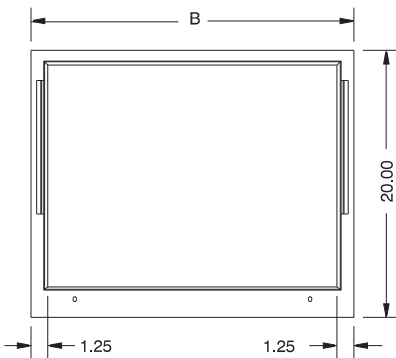


**Front View**

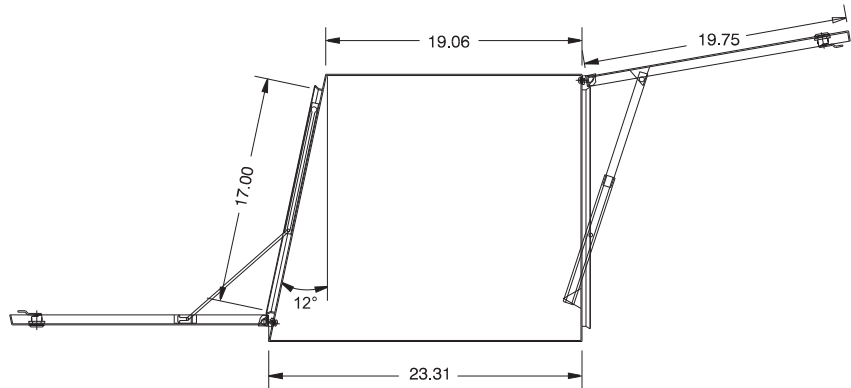


**Side View**

## Deep Turret



**Front View**



**Side View**

## Standard Turret

RAL 7035 Light Gray Part No.	Stainless Steel Part No.	B
2CLT202436	2CST202436	24
2CLT203636	2CST203636	36
2CLT204836	2CST204836	48
2CLT206036	2CST206036	60

## Deep Turret

RAL 7035 Light Gray Part No.	Stainless Steel Part No.	B
2CLT202443	2CST202443	24
2CLT203643	2CST203643	36
2CLT204843	2CST204843	48
2CLT206043	2CST206043	60

Technical references and CAD downloads available at [www.hammondmfg.com](http://www.hammondmfg.com)

All dimensions in inches unless specified otherwise

**Quality Products. Service Excellence.**